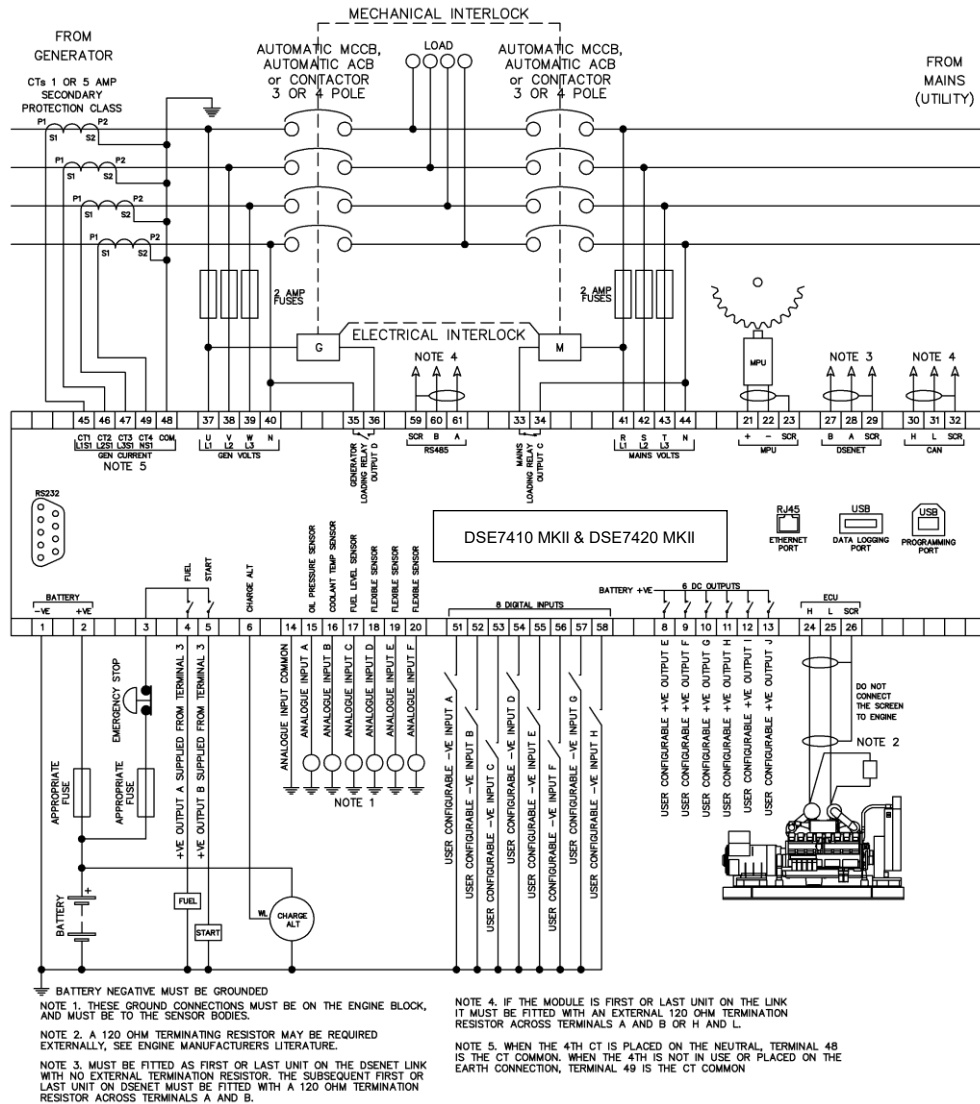


## TYPICAL WIRING DIAGRAM



**NOTE:** Terminals 41, 42, 43 & 44 are not fitted to the DSE7410 MKII.

**NOTE:** A larger version of the Typical Wiring Diagram is available in the product's operator manual, refer to DSE Publication: 057-263 DSE7410 MKII & DSE7420 MKII Operator Manual available from [www.deepseaelectronics.com](http://www.deepseaelectronics.com) for more information.

**Deep Sea Electronics Ltd.**  
Tel: +44 (0)1723 890099  
Email: [support@deepseaelectronics.com](mailto:support@deepseaelectronics.com)  
Web: [www.deepseaelectronics.com](http://www.deepseaelectronics.com)

**Deep Sea Electronics Inc.**  
Tel: +1 (815) 316 8706  
Fax: +1 (815) 316 8708  
Email: [support@deepseausa.com](mailto:support@deepseausa.com)  
Web: [www.deepseausa.com](http://www.deepseausa.com)

# DSE DEEP SEA ELECTRONICS

## DSE7410 MKII & DSE7420 MKII Installation Instructions

053-191  
ISSUE 3

### ACCESSING THE MAIN CONFIGURATION EDITOR

- Ensure the engine is at rest and the module is in STOP mode by pressing the (Stop/Reset) button.
  - Press the (Stop/Reset) and (Tick) buttons simultaneously.
  - If a module security PIN has been set, the PIN number request is then shown:
- Editor

Enter Pin

###
- The first '#' changes to '0'. Press the (Up) or (Down) button to adjust it to the correct value.
  - Press the (Right) button when the first digit is correctly entered. The digit previously entered now shows '#' for security.
  - Repeat this process for the other digits of the PIN number. Press the (Left) button to move back to adjust one of the previous digits.
  - When the (Tick) button is pressed after editing the final PIN digit, the PIN is checked for validity. If the number is not correct, the PIN must be re-entered.
  - If the PIN has been successfully entered (or the module PIN has not been enabled), the editor is displayed:
- Editor - Display

Contrast

53%

### EDITING A PARAMETER

- Enter the editor as described above.
- Press the (Right) or (Left) buttons to cycle to the section to view/change.
- Press the (Up) or (Down) buttons to select the parameter to view/change within the currently selected section.
- To edit the parameter, press the (Tick) button to enter edit mode. The parameter begins to flash to indicate editing.
- Press the (Up) or (Down) buttons to change the parameter to the required value.
- Press the (Tick) button to save the value. The parameter ceases flashing to indicate that it has been saved.
- To exit the editor and save the changes, press and hold the (Tick) button.
- To exit the editor and not save the changes, press and hold the (Stop/Reset) button.

**NOTE:** If the editor is left inactive for the duration of the LCD Page Timer, it is automatically exited to ensure security.

**NOTE:** The PIN number is automatically reset when the editor is exited (manually or automatically) to ensure security.



**NOTE:** Comprehensive module configuration is possible using the DSE Configuration Suite PC Software, refer to DSE publication 057-262 DSE7410 MKII & DSE7420 MKII Configuration Suite PC Software Manual available from [www.deepseaelectronics.com](http://www.deepseaelectronics.com).

## MAIN CONFIGURATION EDITOR PARAMETERS

**NOTE:** Depending upon module configuration, some values in the *Main & Running Configuration Editors* may not be available. For more information refer to DSE publication 057-262 *DSE7410 MKII & DSE7420 MKII Configuration Suite PC Software Manual* available from [www.deepseaelectronics.com](http://www.deepseaelectronics.com)

Section	Parameter As Shown On Display	Value	
Display	Contrast	0 %	
	Language	English	
	Current Date and Time	dd:mm:yyyy hh:mm:ss	
	Dual Mutual Mode	Set Priority / Run Time / Engine Hours	
	Dual Mutual Priority	0	
	Dual Mutual Duty Time	0 h 0 m	
Alt Config	Config to Edit	Main Configuration / Alt Config 1, 2, 3, 4 or 5	
	Default Configuration	Main Configuration / Alt Config 1, 2, 3, 4 or 5	
Engine	Oil Pressure Low Shutdown	0.00 bar 0 psi 0 kPa	
	Oil Pressure Low Pre Alarm	0.00 bar 0 psi 0 kPa	
	Coolant Temperature Low Warning	0 °C 0 °F	
	Coolant Temperature High Pre Alarm	0 °C 0 °F	
	Coolant Temperature High Electrical Trip	0 °C 0 °F	
	Coolant Temperature High Shutdown	0 °C 0 °F	
	Fuel Usage Running Rate	0 %	
	Fuel Usage Stopped Rate	0 %	
	Specific Gravity	0.00	
	Pre Heat Temp	0 °C 0 °F	
	Pre Heat Timer	0 h 0 m 0 s	
	Post Heat Temp	0 °C 0 °F	
	Post Heat Timer	0 h 0 m 0 s	
	Droop	Active / Inactive	
	Droop	0.0 %	
	Crank Disconnect Oil Pressure Delay	0.0 s	
	Crank Disconnect	0 V	
	Under Speed Shutdown	Active / Inactive	
	Under Speed Shutdown	0 RPM	
	Under Speed Warning	Active / Inactive	
	Under Speed Warning	0 RPM	
	Under Speed Delay	0.0 s	
	Over Speed Warning	Active / Inactive	
	Over Speed Warning	0 RPM	
	Over Speed Shutdown	0 RPM	
	Over Speed Delay	0.0 s	
	Overspeed Overshoot	0 %	
	Overspeed Overshoot Delay	0.0 s	
	Battery Under Voltage Warning	Active / Inactive	
	Battery Under Voltage Warning	0 V	
	Battery Under voltage Warning Delay	0 h 0 m 0 s	
	Battery Over Voltage Warning	Active / Inactive	
	Battery Over Voltage Warning	0 V	
	Battery Over Voltage Warning Delay	0 h 0 m 0 s	
	Charge Alternator Failure Warning	Active / Inactive	
	Charge Alternator Failure Warning	0 V	
	Charge Alternator Warning Delay	0 h 0 m 0 s	
	Charge Alternator Failure Shutdown	Active / Inactive	
	Charge Alternator Failure Shutdown	0.0 V	
	Charge Alternator Shutdown Delay	0 h 0 m 0 s	
	Inlet Temperature Alarm	0 °C 0 °F	
	Inlet Temperature Pre-Alarm	0 °C 0 °F	
	Generator	AC System	3 Phase, 4 Wire
		Under Voltage Shutdown	0 V
		Under Voltage Pre Alarm	0 V
		Under Voltage Delay	0.0 s
		Nominal Voltage	0 V
Over Voltage Pre Alarm		0 V	
Over Voltage Shutdown		0 V	
Over Voltage Delay		0.0 s	
Under Frequency Shutdown		0.0 Hz	
Under Frequency Pre Alarm		0.0 Hz	
Under Frequency Delay		0.0 s	

## MAIN CONFIGURATION EDITOR PARAMETERS (CONTINUED)

Section	Parameter As Shown On Display	Value	
Generator (Continued)	Nominal Frequency	0.0 Hz	
	Over Frequency Pre Alarm	0.0 Hz	
	Over Frequency Shutdown	0.0 Hz	
	Over Frequency Delay	0.0 s	
	Frequency Overshoot	0 %	
	Frequency Overshoot Delay	0 m 0.0 s	
	CT Primary	0 A	
	CT Secondary	0 A	
	Earth CT Primary	0 A	
	Full Load Rating	0 A	
	Delayed Over Current	Active / Inactive	
	Delayed Over Current	0 %	
	Earth Fault Trip	Active / Inactive	
	Earth Fault Trip	0 %	
kW Overload Trip	0 %		
Mains DSE7420 MKII Only	AC System	3 Phase, 4 Wire	
	Under Voltage Trip	0 V	
	Over Voltage Trip	0 V	
Timers	Under Frequency Trip	0.0 Hz	
	Over Frequency Trip	0.0 Hz	
	Start Delay Off Load	0 h 0 m 0 s	
	Start Delay On Load	0 h 0 m 0 s	
	Start Delay Mains Fail	0 h 0 m 0 s	
	Start Delay Telemetry	0 h 0 m 0 s	
	Mains Transient Delay	0 m 0 s	
	Engine Cranking	0 m 0 s	
	Engine Cranking Rest	0 m 0 s	
	Engine Smoke Limiting	0 m 0 s	
	Engine Smoke Limiting Off	0 m 0 s	
	Engine Safety On Delay	0 m 0 s	
	Engine Warning	0 h 0 m 0 s	
	ECU Override	0 m 0 s	
	(Mains) Transfer Time	0 m 0.0 s	
	Return Delay	0 h 0 m 0 s	
	Engine Cooling	0 h 0 m 0 s	
	Engine Fail To Stop Delay	0 m 0 s	
	LCD Page Delay	0 h 0 m 0 s	
	LCD Scroll Delay	0 h 0 m 0 s	
	Sleep Timer	0 h 0 m 0 s	
	Backlight Timer	0 h 0 m 0 s	
	Schedule	Schedule	Active / Inactive
		Schedule Period Bank 1	Weekly / Monthly
		On Load / Off Load / Auto Start Inhibit, Week, On, Run Time and Day Selection (1 to 8)	Press <b>Tick</b>  to begin editing then up or down when selecting the different parameters in the scheduler.
		Schedule Period Bank 2	Weekly / Monthly
		On Load / Off Load / Auto Start Inhibit, Week, On, Run Time and Day Selection (1 to 8)	Press <b>Tick</b>  to begin editing then up or down when selecting the different parameters in the scheduler.


## DIMENSIONS AND MOUNTING

Parameter	Specification
Dimensions	245 mm x 184 mm x 51 mm (9.6" x 7.2" x 2.0")
Panel Cut-out	220 mm x 160 mm (8.7" x 6.3")
Weight	0.98 kg (2.16 lb)
Operating Temperature With Standard Display	-30 °C to +70 °C (-22 °F to +158 °F)
Operating Temperature With Heated Display	-40 °C to +70 °C (-40 °F to +158 °F)
Storage Temperature	-40 °C to +80 °C (-40 °F to +176 °F)

## ACCESSING THE 'RUNNING' CONFIGURATION EDITOR

- The 'running' editor can be entered while the engine is running. All protections remain active if the engine is running while the running editor is entered.



- Press and hold the  (Tick) button to enter the running editor.

## RUNNING CONFIGURATION EDITOR PARAMETERS

Section	Parameter As Shown On Display	Value
Display	Contrast	0%
	Language	English
	Dual Mutual Status	Set Priority (1 to 8)
Engine	Manual Frequency Trim	0.0 Hz
	Speed Bias	0.0 Unit
	Governor Gain	0.0
	Frequency Adjust	0 %
	DPF Auto Regeneration Inhibit	Active / Inactive
	DPF Manual Regeneration Request	Active / Inactive
AVR	ECU Service Mode	Active / Inactive
	Escape Mode	Active / Inactive
	Droop (% of Set Point)	0.0
	Proportional Set Point	0.0
	Integral Set Point	0.0
	Derivative Set Point	0.0
AVR	Off Load Duty Cycle	0.0
	Maximum Duty Cycle	0.0
	Soft Start Ramp Start Point	0.0
	Soft Start Ramp Rate (%/Hz)	0.0
	Alternative Configuration	0
	Stability Selection	0

## REQUIREMENTS FOR UL CERTIFICATION

**WARNING!** More than one live circuit exists, see diagram overleaf for further information.

Specification	Description
Screw Terminal Tightening Torque	• 4.5 lb-in (0.5 Nm)
Conductors	<ul style="list-style-type: none"> <li>Terminals suitable for connection of conductor size 13 AWG to 20 AWG (0.5 mm<sup>2</sup> to 2.5 mm<sup>2</sup>).</li> <li>Conductor protection must be provided in accordance with NFPA 70, Article 240</li> <li>Low voltage circuits (35 V or less) must be supplied from the engine starting battery or an isolated secondary circuit.</li> <li>The communication, sensor, and/or battery derived circuit conductors shall be separated and secured to maintain at least 1/4" (6 mm) separation from the generator and mains connected circuit conductors unless all conductors are rated 600 V or greater.</li> </ul>
Current Inputs	• Must be connected through UL Listed or Recognized isolating current transformers with the secondary rating of 5 A max.
Communication Circuits	• Must be connected to communication circuits of UL Listed equipment
DC Output Pilot Duty	• 0.5 A
Mounting	<ul style="list-style-type: none"> <li>Suitable for flat surface mounting in Type 1 Enclosure Type rating with surrounding air temperature -22 °F to +122 °F (-30 °C to +50 °C)</li> <li>Suitable for pollution degree 3 environments when voltage sensing inputs do not exceed 300 V. When used to monitor voltages over 300 V device to be installed in an unventilated or filtered ventilation enclosure to maintain a pollution degree 2 environment.</li> </ul>
Operating Temperature	• -22 °F to +122 °F (-30 °C to +50 °C)